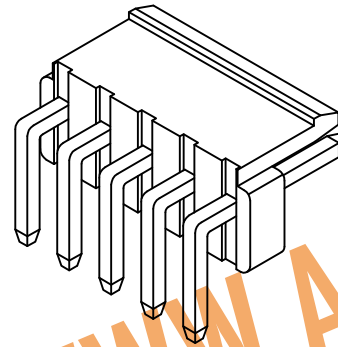
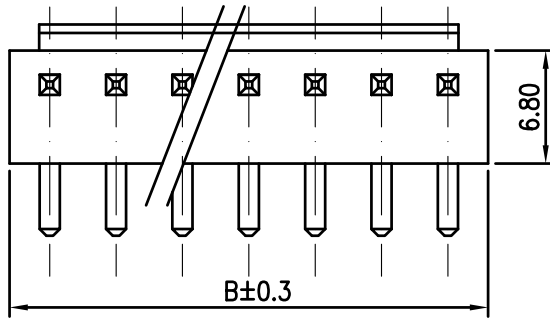


RoHS  
COMPLIANT

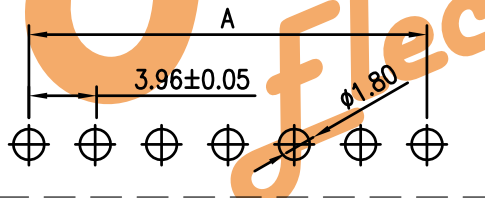
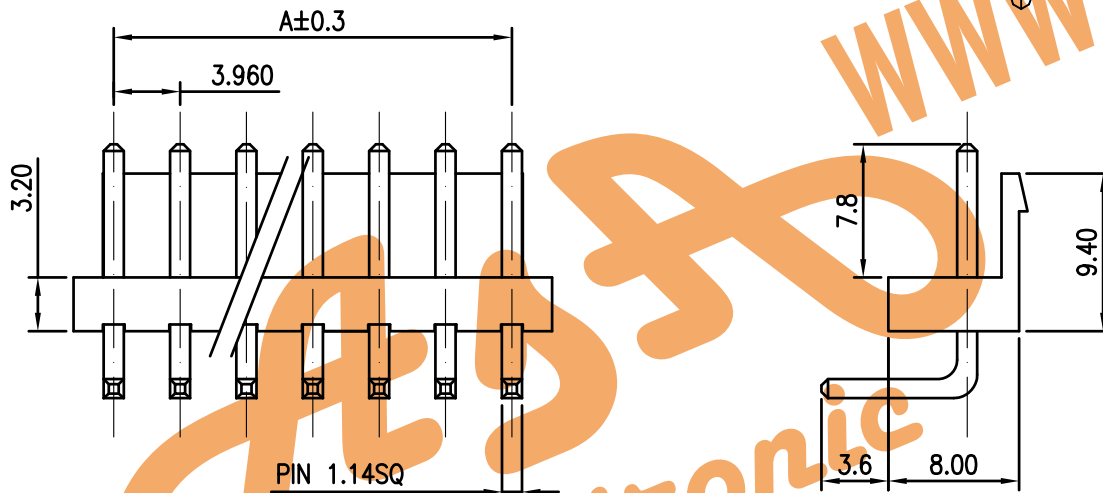


SPECIFICATIONS

1. Current rating: 5A AC, DC
2. Voltage rating: 250V AC, DC
3. Temperature range: -25°C ~ + 85°C
4. Insulation resistance: 1000MΩ/ min.
5. Withstanding voltage: 1500V AC/ minute.

Material:

Insulator: PA66 UL94 V-0  
Contact: Brass



Recommended P.C.B. Layout  
Total tolerance: ±0.05mm

Circuits	Dimensions		Circuits	Dimensions	
	A	B		A	B
2	3.96	7.92	10	35.64	39.60
3	7.92	11.88	11	39.60	43.56
4	11.88	15.84	12	43.56	47.52
5	15.84	19.80	13	47.52	51.48
6	19.80	23.76	14	51.48	55.44
7	23.76	27.72	15	55.44	59.40
8	27.72	31.68	16	59.40	63.36
9	31.68	35.64			

△4			
△3			
△2	Change the part number and frame format	Arvin	2020.05.08
MARK	REVISION DESCRIPTION	SIGNATURE	DATE

TOLERANCE	TITLE:	DRAWN:
X.X ±0.30	VH3.96 DIP 90°	Arvin 2020.05.08
X.XX ±0.20		CHECKED:
X.XXX ±0.10		APPROVED:
Angle ±2°	UNIT:mm	SCALE:N/A
	SHEET:1/1	PROJECTION


[WWW.ASA-Elec.com](http://WWW.ASA-Elec.com)  
**AsA Electronic Co.**  
 Tel : (+98) 21 66 73 56 82 Mob : (+98) 912 03 161 02